

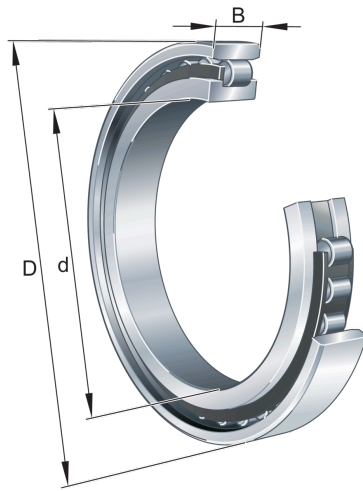
**FAG****N309-E-XL-TVP2**

Cylindrical roller bearing

Schaeffler ID:
0167339750000

Cylindrical roller bearing N3..-E-TVP2, with cage, single row, non-locating bearing, 0 ribs on outer ring, 2 rib on inner ring, type N3

Technical information

**Main Dimensions & Performance Data**

d	45 mm	Bore diameter
D	100 mm	Outside diameter
B	25 mm	Width
C_r	116,000 N	Basic dynamic load rating, radial
C_{0r}	99,000 N	Basic static load rating, radial
C_{ur}	17,600 N	Fatigue load limit, radial
$n_{G\text{ Grease}}$	8,300 1/min	Limiting speed for grease lubrication
$n_{G\text{ Oil}}$	9,800 1/min	Limiting speed for oil lubrication
	0.87 kg	Weight

Dimensions

$r_{1\text{ min}}$	1.5 mm	Minimum chamfer dimension
s_1	1 mm	Axial displacement
E	88.5 mm	Raceway diameter outer ring

Mounting dimensions

$d_{a\text{ min}}$	54 mm	Minimum diameter shaft shoulder
$D_{a\text{ max}}$	91 mm	Maximum diameter of housing shoulder
$r_{a1\text{ max}}$	1.5 mm	Maximum recess radius

Temperature range

T_{min}	-30 °C	Operating temperature min.
T_{max}	120 °C	Operating temperature max.